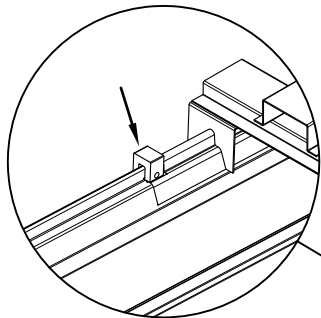


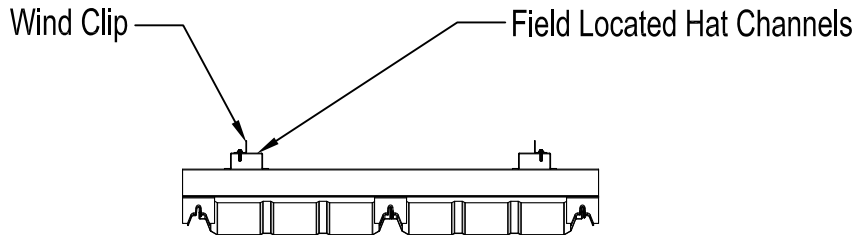
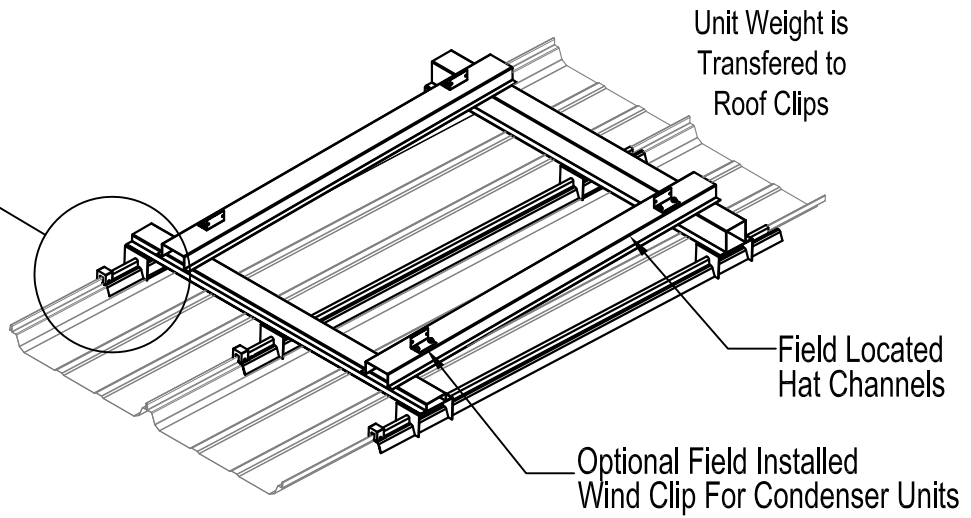
Fast-Rac Roof Platform System

Trapezoidal Standing Seam Panels

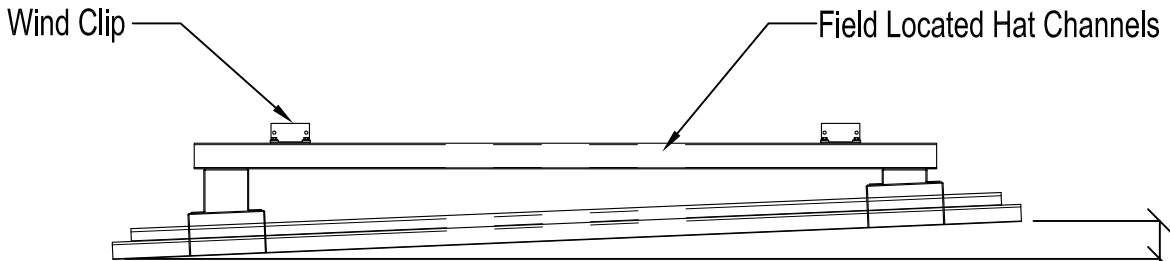
Patent Pending



Rib Clamp Detail



End View



Side View

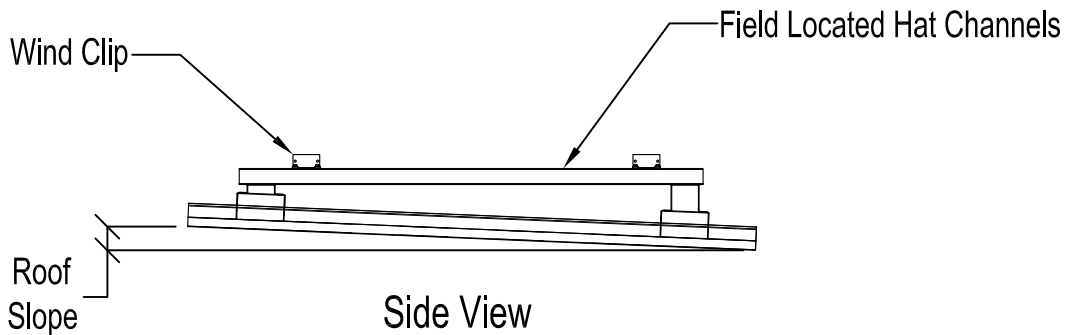
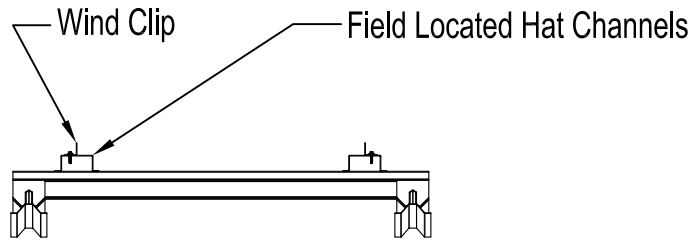
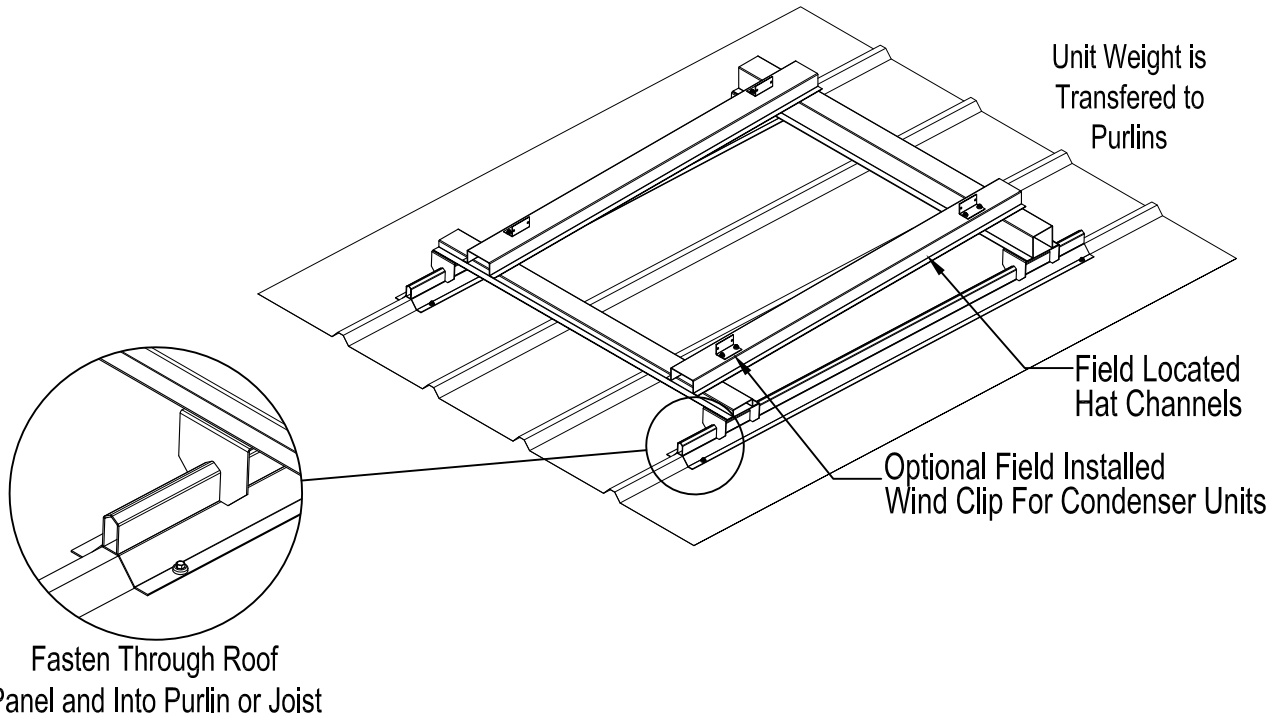


QTY	Unit Width	Unit Length	Roof Pitch	Tag
			:12	
Material: Aluminum			Gauge: .080	Drawn By:
Customer:				Date:
Job Name:			Job #:	
Part Name: 2 Panel Roof Rack				Patent Pending

Fast-Rac Roof Platform System

Exposed Fastener "R" Panels

Patent Pending

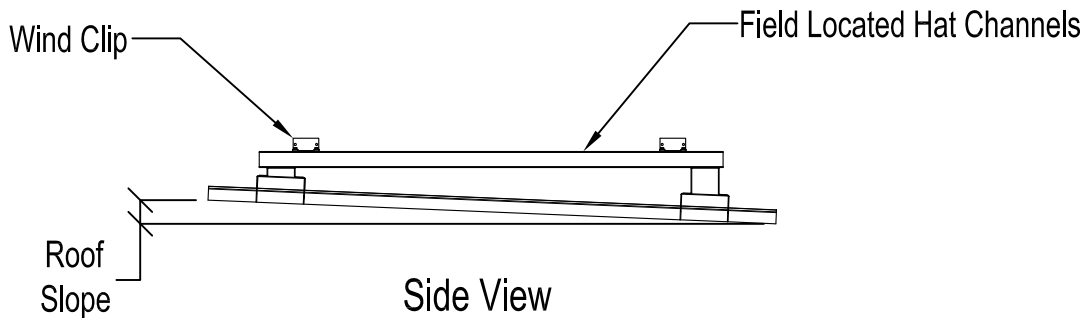
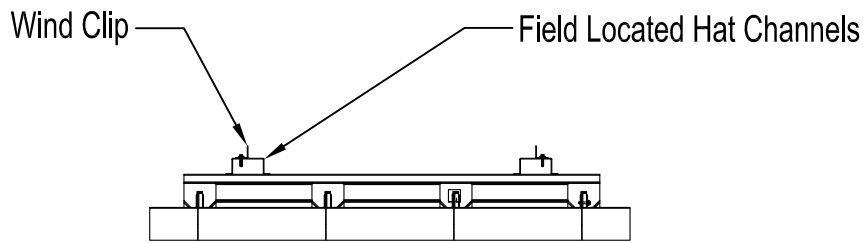
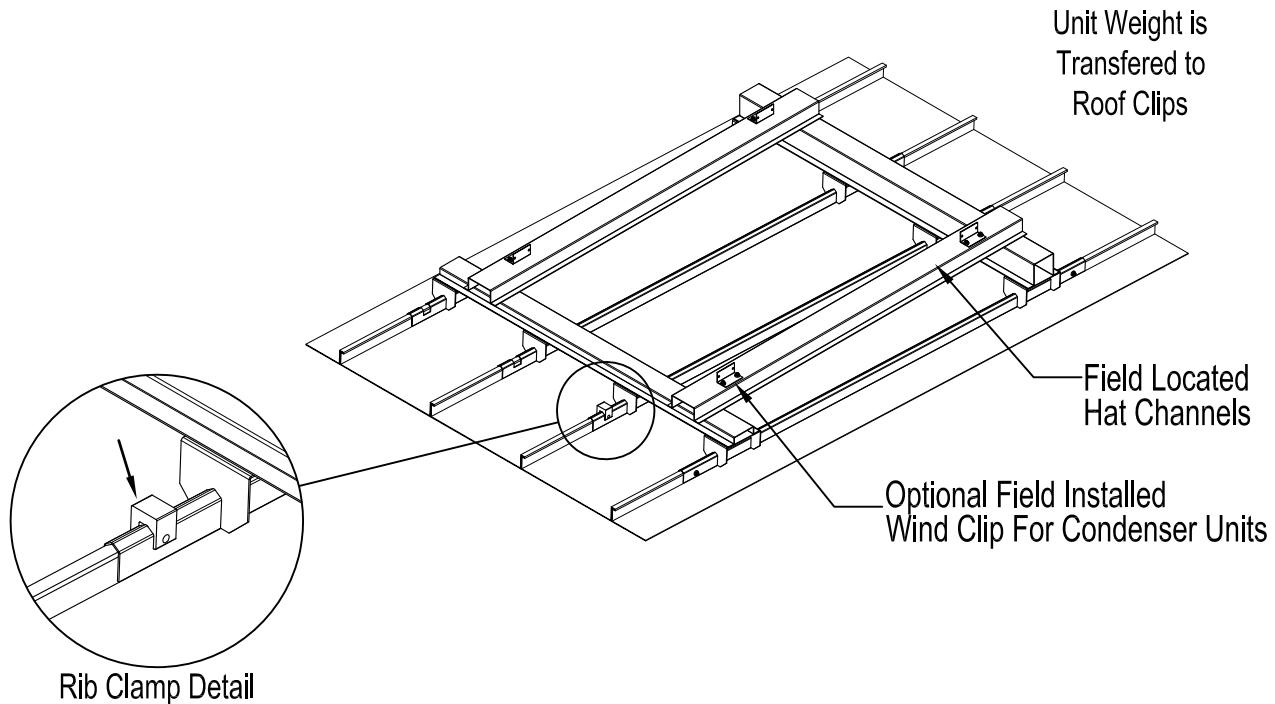


QTY	Unit Width	Unit Length	Roof Pitch	Tag
			:12	
Material: Aluminum			Gauge: .080	Drawn By:
Customer:				Date:
Job Name:			Job #:	
Part Name: 2 Panel Roof Rack				Patent Pending

Fast-Rac Roof Platform System

Architectural Vertical Rib Panels

Patent Pending



QTY	Unit Width	Unit Length	Roof Pitch	Tag
			:12	
Material: Aluminum			Gauge: .080	Drawn By:
Customer:				Date:
Job Name:			Job #:	
Part Name: 2 Panel Roof Rack				Patent Pending